

NUMBER OF SHUNTS REQUIRED	OPERATING VOLTAGE	
	WITHOUT POLE EXTENSIONS	WITH POLE EXTENSIONS
0	10kV	10kV
1	7 - 8	8 - 9
2	5 - 6	6 - 7
3	4	4 - 5
SHUNT SIZE: .063 x 1.00 x 4.00 SHUNT MATERIAL: COLD-ROLLED STEEL		

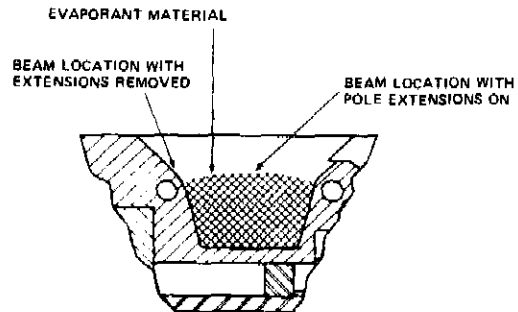


Figure 5. Shunt bar requirements at various operating voltages

Figure 6. Schematic diagram showing the correct evaporant level and the effect the pole piece extensions have on the beam position.

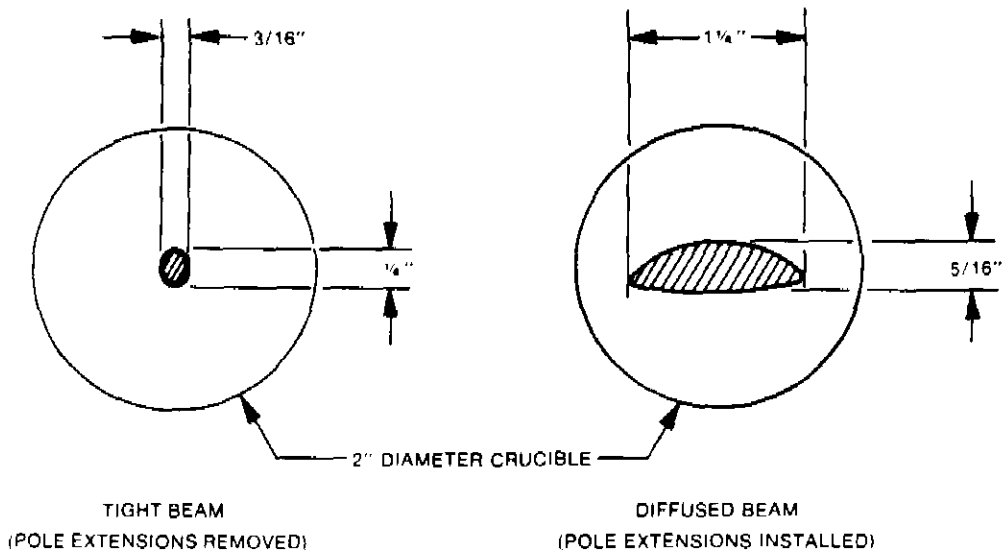


Figure 7. The effects of the pole piece extensions on the beam spot.