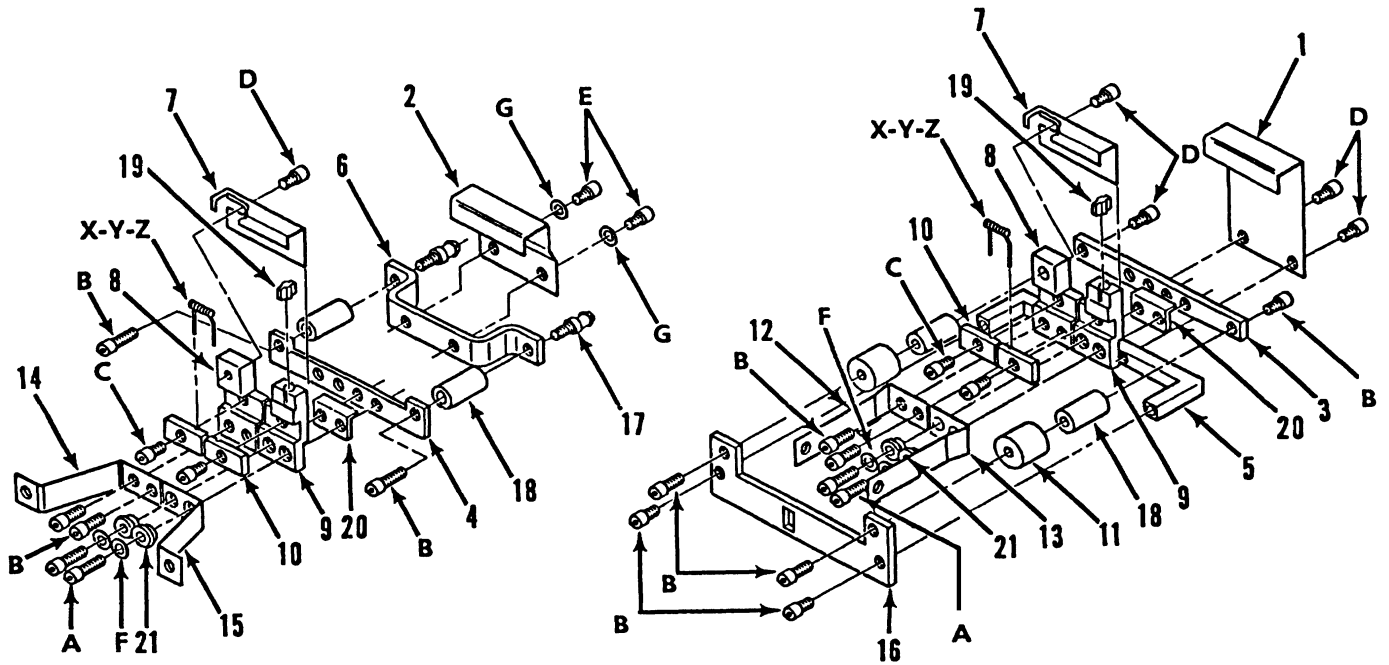


ELECTRON BEAM EMITTER PARTS

for Temescal, CHA and Telemark guns.
ALL PART NUMBERS CROSS-REFERENCED BELOW.



PART	TEMESCAL	CHA/TELEMARK	VESCO	PRICE
1 ANODE.....	204-0292.....	273-0003	V-0292	\$70.00
2 ANODE	303-9402.....	253-0017	V-9402	\$70.00
3 MOUNTING BAR.....	204-0322.....	273-0017	V-0322	\$50.00
4 MOUNTING BAR.....	303-9412.....	252-0020	V-9412	\$50.00
5 MOUNTING BRACKET.....	204-0312	273-0019	V-0312	\$70.00
6 EMITTER SUPPORT BRACKET.....	303-3152	252-0016	V-3152	\$70.00
7 BEAM FORMER.....	415-1822.....	273-0004	V-1822	\$40.00
8 CATHODE BLOCK L.H.....	303-9362.....	273-0031A	V-9362	\$125.00
9 CATHODE BLOCK R.H.....	303-9372.....	273-0031B	V-9372	\$125.00
10 FILAMENT CLAMP.....	303-9382.....	273-0033	V-9382	\$35.00
11 INSULATOR SHIELD.....	204-0302.....	273-0011	V-0302	\$20.00
12 FILAMENT BUSS BAR L.H.....	204-0343-1	273-0035A	V-0343-1	\$40.00
13 FILAMENT BUSS BAR R.H.....	204-0343-2	273-0036B	V-0343-2	\$40.00
14 FILAMENT BUSS BAR L.H.....	303-3122-1	273-0035A	V-3122-1	\$40.00
15 FILAMENT BUSS BAR R.H.....	303-3122-2	273-0036B	V-3122-2	\$40.00
16 EMITTER SUPPORT BAR.....	204-0332.....	273-0018	V-0332	\$70.00
17 SUPPORT STUD.....	303-3161.....	273-0040	V-3161	\$25.00
18 H.V. INSULATOR (BOX 10).....	602-8781.....	273-0010	V-8781	\$75.00
19 LOCATING INSULATOR.....	303-6721.....	273-0005	V-6721	\$5.00
20 R.ANGLE INSULATOR.....	N/A	N/A	V-3130	\$15.00
21 FLANGED INSULATOR.....	303-3131.....	273-0006	V-3131	\$5.00
X 7 1/2 TURN FILAMENT (BOX 5).....	317-6871.....	273-0001	V-6871	\$60.00
Z 5 1/2 TURN FILAMENT (BOX 5).....	0515-5441	273-0002-1	V-5441	\$60.00
A SCREW SOC HD 6-32 NC 1/2 IN (BOX 10).....	1321-1255.....	271-6060	V-1255	\$5.00
B SCREW SOC HD 6-32 NC 3/8 IN (BOX 10).....	1321-1254	271-6050	V-1254	\$5.00
C SCREW SOC HD 6-32 NC 5/16 IN (BOX 10).....	N/A.....	N/A	V-1250	\$5.00
D SCREW SOC HD 6-32 NC 1/4 IN (BOX 10).....	1321-1252.....	271-6030	V-1252	\$5.00
E SCREW SOC HD 6-32 NC 3/16 IN (BOX 10).....	1321-1251.....	N/A	V-1251	\$5.00
F WASHER FLAT #6 (BOX 10).....	1378-1200.....	273-0007	V-1200	\$1.00
G LOCKWASHER INT. TOOTH #6 SST (BOX 10).....	1474-1200.....	N/A	V-1201	\$1.00

CALL (978) 887-5305 or FAX (239) 243-0828