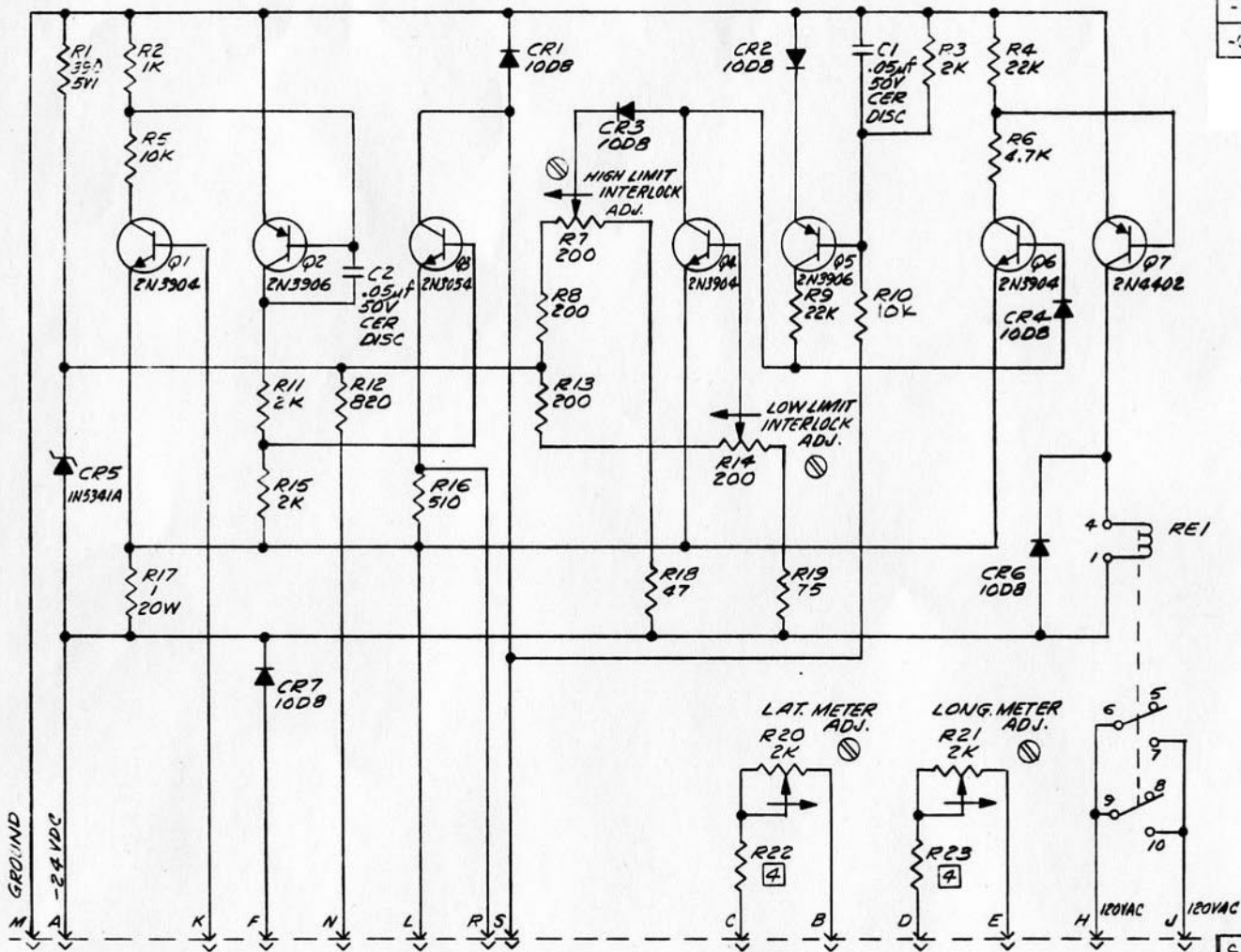


DASH NO.	R11	R22	R23	USED IN	ASSY REF.
-1	R5 SHANN	2K	2K	CV-14	407-3873-1
-C	AS SHANN	4.7K	4.7K	CV-8	407-3873-2



- NOTES:**
 UNLESS OTHERWISE SPECIFIED
 1 RESISTORS ARE $\frac{1}{4}$ W $\pm 5\%$ CARB. COMP
 2 RESISTOR VALUES ARE IN OHMS
 3 REF. DWG. NOS.
 ASSY 407-3873
 FAB 407-3883
 ART 407-3893
 [A] FOR VALUE SEE TABULATION BLOCK

C	ADDED -B OPTION & KIT CALL-OUT	FB	11/17/73	RB
B	ADDED NOTE 4 & TABULATION BLOCK	SM	6-4-72	EY.
A	210 WAS 4.7K	EG	1-3-72	EY
REV.	DESCRIPTION	BY	DATE	APPROV
DO NOT SCALE DRAWING UNLESS OTHERWISE SPECIFIED				
FINISH	TOLERANCE	WELD-SHADI	USED ON DWG.	
<input checked="" type="checkbox"/>	XX ± XX ± XX ±	AND ± X ± X ±	REMOVE ALL DIMS	407-4015
BERKELEY		AIRCO Temescal		CALIFORNIA
A DIVISION OF AIR REDUCTION COMPANY, INCORPORATED				
DRAWN BY	E. J. [unclear]	DATE	5/10/71	CHEK BY
AT STANDARD CYCLE 1/3		SCALE	NOTE	
LONGITUDINAL FOCUS P.C. BOARD SCHEMATIC				407-3883 C