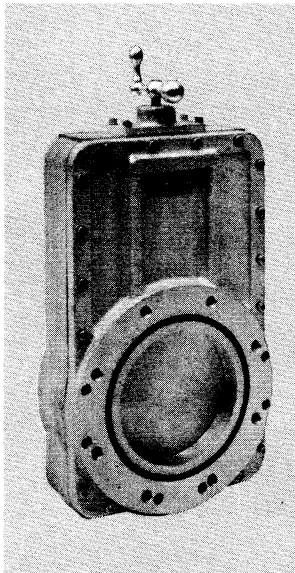
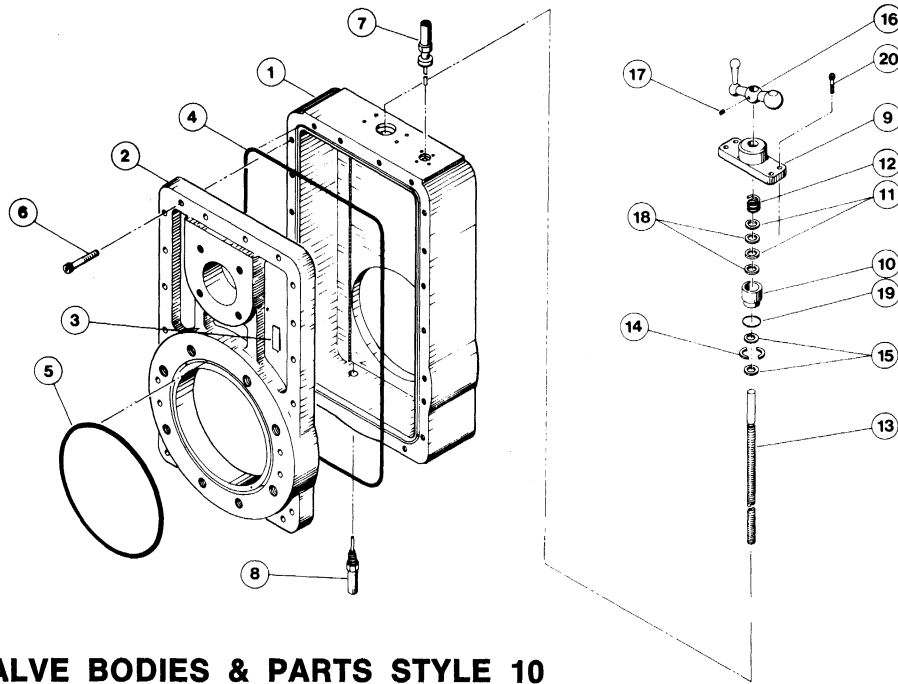


SERIES 5000
SPLIT BODY
ALUMINUM GATE VALVES
INSTRUCTIONS

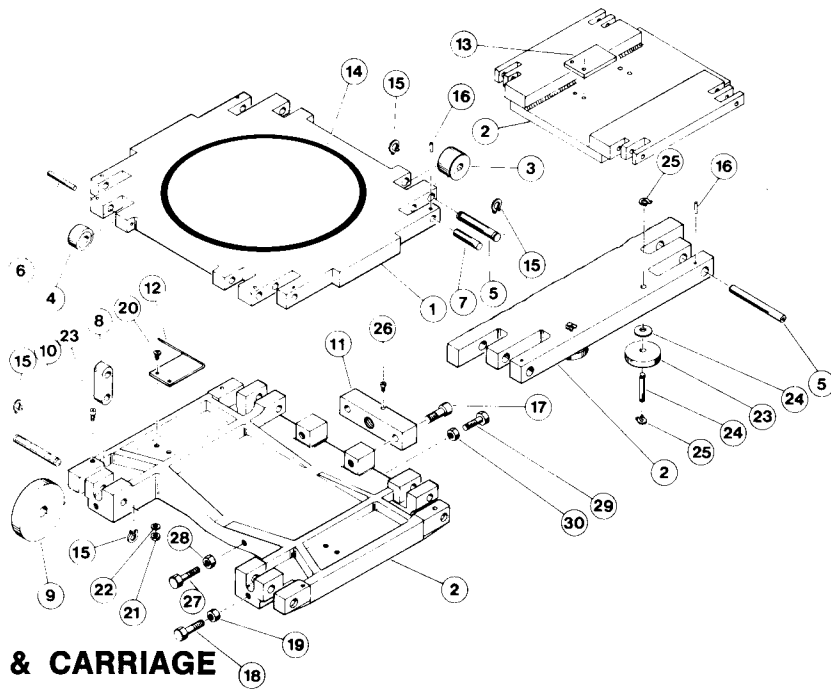




VALVE BODIES & PARTS STYLE 10

ITEM	DESCRIPTION	8	10	10B	12	
1	Body Stem Side STD (5000) (with Flg O-Ring) ⁵	0122-1043-0	0322-6443-0	0122-1664-1	0122-1754-1	
	Body Stem Side STD (5100) (with Flg O-Ring)	0122-1043-0	0322-6443-0	0122-1664-1	0122-1754-1	
	Body Stem Side STD (5200) (No Flg O-Ring)	0322-6413-0	0322-7043-0	0122-1664-2	0122-1754-2	
	Body Stem Side STD (5300) (Blank)	0122-1034-0	0122-1365-0	0122-1655-0	0122-1655-1	
	Body Stem Side Nickel Plated (5000)	0122-1043-1	0322-6443-1	0122-1664-3	0122-1754-3	
	Body Stem Side Nickel Plated (5100)	0122-1043-1	0322-6443-1	0122-1664-3	0122-1754-3	
	Body Stem Side Nickel Plated (5200)	0322-6413-1	0322-7043-1	0122-1664-4	0122-1754-4	
	Body Stem Side Nickel Plated (5300)	0122-1034-1	0122-1365-1	0122-1655-2	0122-1655-3	
	Body Stem Side for Position Indicators (5000)	0122-1084-2	0122-1434-1	0122-1734-1	0122-1774-1	
	Body Stem Side for Position Indicators (5100)	0122-1084-2	0122-1434-1	0122-1734-1	0122-1774-1	
	Body Stem Side for Position Indicators (5200)	0122-1084-1	0122-1434-4	0122-1734-2	0122-1774-2	
	Body Stem Side for Position Indicators (5300)	0122-1084-4	0122-1434-5	0122-1734-3	0122-1774-3	
	Body Stem Side for Posit. Indic. Nickel Plated (5000) ⁵	0122-1084-4	0122-1434-5	0122-1734-3	0122-1774-3	
	Body Stem Side for Posit. Indic. Nickel Plated (5100)	0122-1084-4	0122-1434-5	0122-1734-3	0122-1774-3	
	Body Stem Side for Posit. Indic. Nickel Plated (5200)	0122-1084-3	0122-1434-6	0122-1734-4	0122-1774-4	
	Body Stem Side for Posit. Indic. Nickel Plated (5300)	0122-1084-4	0122-1434-5	0122-1734-3	0122-1774-3	
	2	Body Seat Side STD (5000) (No Flg O-Ring)	0322-6403-0	0322-7053-0	0122-1694-2	0322-7004-0
		Body Seat Side STD (5100) (with Flg O-Ring)	0122-1073-0	0322-6453-0	0122-1694-1	0122-1784-1
		Body Seat Side STD (5200) (No Flg O-Ring)	0322-6403-0	0322-7053-0	0122-1694-2	0322-7004-0
		Body Seat Side STD (5300) (Blank)	0122-1064-0	0122-1385-0	0122-1685-0	0122-1685-1
Body Seat Side Nickel Plated (5000)		0322-6403-1	0322-7053-1	0122-1694-4	0322-7004-1	
Body Seat Side Nickel Plated (5100)		0122-1073-1	0322-6453-1	0122-1694-3	0122-1784-2	
Body Seat Side Nickel Plated (5200)		0322-6403-1	0322-7053-1	0122-1694-4	0322-7004-1	
Body Seat Side Nickel Plated (5300)		0122-1064-1	0122-1385-1	0122-1685-1	0122-1685-3	
Body Seat Side With Rough Port (5000)		0122-1114-1	0122-1423-2	_____	0122-1764-2	
Body Seat Side With Rough Port (5100)		0122-1114-2	0122-1423-1	_____	0122-1764-1	
Body Seat Side With Rough Port (5200)		0122-1114-1	0122-1423-2	_____	0122-1764-2	
Body Seat Side With Rough Port (5300)		0122-1104-0	0122-1414-0	_____	0122-1714-0	
Body Seat Side With Rough Port, Nickel Plated (5000)		0122-1114-3	0122-1423-4	_____	0122-1760-4	
Body Seat Side With Rough Port, Nickel Plated (5100)		0122-1114-4	0122-1423-3	_____	0122-1764-3	
Body Seat Side With Rough Port, Nickel Plated (5200)		0122-1114-3	0122-1423-4	_____	0122-1764-4	
Body Seat Side With Rough Port, Nickel Plated (5300)		0122-1104-1	0122-1414-1	_____	0122-1714-1	
3	Name Plate	0222-3312-0	0222-3312-0	0222-3312-0	0222-3312-0	
	Body O-Ring Buna "N"	2130-0468-0	0122-1441-0	0122-1741-0	0122-1741-0	
4	Body O-Ring Viton	2231-0468-0	0122-1441-1	0122-1741-1	0122-1741-1	
	Flg O-Ring Buna "N"	2130-0447-0	2130-0451-0	2130-0453-0	2130-0455-0	
5	Flg O-Ring Viton	2231-0447-1	2231-0451-0	2231-0453-1	2231-0455-0	
	Body Screw	1221-2261-0	1221-2662-0	1221-2662-0	1221-2662-0	
7	Position Indicator Assy. Upper	0222-9243-0	0222-9243-0	0222-9243-0	0222-9243-0	
	Position Indicator Assy. Lower	0222-9203-0	0222-9203-0	0222-9203-0	0222-9203-0	
ACTUATOR STYLE 10						
9	Bonnet	0122-1272-0	0122-1582-0			
10	Seal Housing	0122-1281-0	0122-1591-0			
	Seal Housing ¹	0122-1331-0	0122-1621-0			
11	Seal Pressure Ring	0322-8261-0	0322-8551-0			
12	Seal Spring	0322-8251-0	0322-8561-0			
13	Stem	0122-1292-0	0122-1602-0			
14	Split Ring Segment (Halves)	0122-1301-0	0122-1301-0			
	Trust Bearing	0122-1311-0	0122-1311-0			
15	Trust Bearing ¹	0122-1311-1	0122-1311-1			
	Crank	0122-1321-0	0122-1321-0			
16	Crank Set SCR	1111-1852-0	1111-1852-0			
17	Seal Quad Ring Buna "N"	2108-0114-0	2108-0210-0			
19	Bonnet O-Ring Buna "N"	2130-0218-0	2130-0218-0			
	Bonnet O-Ring Viton	2231-0218-1	2231-0218-1			
20	Bonnet Mtg. SCR	1221-2259-0	1221-2259-0			

Used on Nickel Plated Valves
 According to our valves code
 5000 indicates Flg O-Ring Groove on Carriage Side only (Stem Side)
 5100 indicates O-Ring Groove on both Flgs (Stem & Gate Side)
 5200 indicates no O-Ring Groove on either Flg
 5300 indicates Blank no drilling or grooving on either Flg



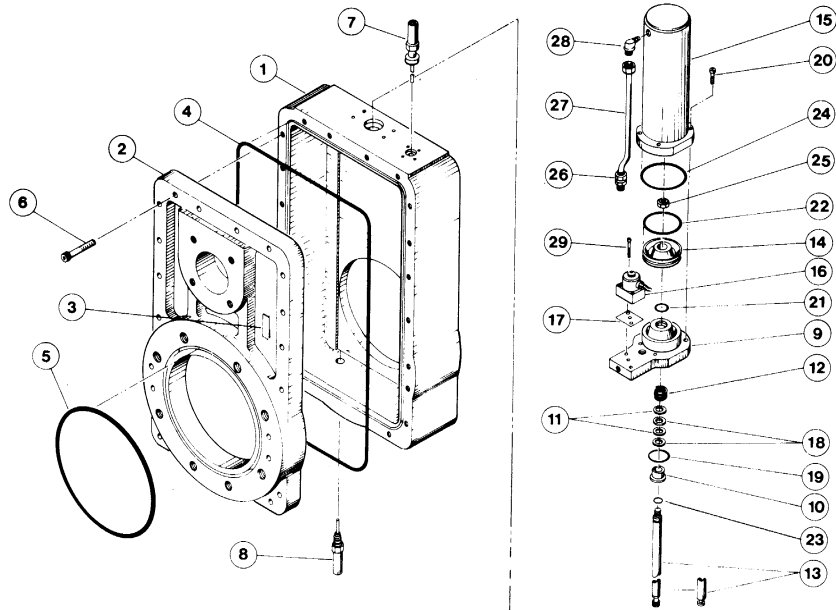
GATE & CARRIAGE

ITEM	DESCRIPTION	STYLE 10		STYLE 30		10B & 12
		8	10	8	10	
1	Gate STD	0122-1124-0	0122-1454-0	0122-1124-0	0122-1544-0	0122-1794-0
	Gate Nickel Plated	0122-2434-0	0122-3384-0	0122-2434-0	0122-3384-0	---
2	Carriage STD	0122-1143-0	0122-1464-0	0122-1143-0	0122-1553-0	0122-1804-0
	Carriage Nickel Plated	0122-2443-0	0122-3394-0	0122-2443-0	0122-3394-0	---
3	Gate Support Roller (Large)	0122-1152-0	0122-1152-0	0122-1152-0	0122-1152-0	0122-1152-0
4	Gate Stop Roller (Small)	0122-1162-0	0122-1162-0	0122-1162-0	0122-1162-0	0122-1162-0
5	Gate Support Roller Pin	0122-1172-1	0122-1172-1	0122-1172-1	0122-1172-1	0122-1172-1
	Gate Support Roller Pin †	0122-1172-3	0122-1172-3	0122-1172-3	0122-1172-3	---
6	Gate Stop Roller Pin	0122-1182-1	0122-1172-1	0122-1182-1	0122-1172-1	0122-1172-1
	Gate Stop Roller Pin †	0122-1182-3	0122-1172-3	0122-1182-3	0122-1172-3	---
7	Gate Link Pin	0122-1192-1	0122-1182-1	0122-1192-1	0122-1182-1	0122-1811-1
	Gate Link Pin †	0122-1192-3	0122-1182-3	0122-1192-3	0122-1182-3	---
8	Gate Link	0122-1202-0	0122-1202-0	0122-1202-0	0122-1202-0	0122-1822-0
9	Carriage Wheel	0122-1212-0	0122-1212-0	0122-1212-0	0122-1212-0	0122-1831-0
10	Carriage Link Pin	0122-1222-1	0122-1472-1	0122-1222-1	0122-1472-1	0122-1841-0
	Carriage Link Pin †	0122-1222-3	0122-1472-3	0122-1222-3	0122-1472-3	---
11	Stem Retainer	0122-1231-0	0122-1482-0	0122-1252-1	0122-1252-1	0122-1851-1
	Stem Retainer SST †	0122-1231-1	0122-1502-0	0122-1252-2	0122-1252-2	---
12	Spring	0122-1242-0	0122-1242-0	0122-1242-0	0122-1242-0	0122-1242-0
	Spring †	0122-1242-1	0122-1242-1	0122-1242-1	0122-1242-1	---
13	Spring Spacer	---	0122-1492-0	---	---	---
	Spring Spacer †	---	0122-1492-1	---	---	---
14	Gate O-Ring Buna "N"	2130-0445-0	2130-0449-0	2130-0445-0	2130-0449-0	2130-0453-0
	Gate O-Ring Viton	2231-0445-0	2231-0449-1	2231-0445-0	2231-0449-1	2231-0453-1
15	Retaining Ring	1384-1037-0	1384-1037-0	1384-1037-0	1384-1037-0	1384-1037-0
	Retaining Ring	---	1384-1100-0	---	1384-1100-0	---
16	Retainer Roll Pin	1306-1058-0	1306-1058-0	1306-1058-0	1306-1058-0	1306-1058-0
17	Stem Retainer Shoulder SCR	1225-2656-0	1225-2656-0	1225-2655-0	1225-2655-0	1321-2659-0
	Stem Retainer Shoulder SCR †	0122-1562-0	0122-1562-0	0122-1562-0	0122-1562-0	---
18	Carriage Stop SCR	1322-1860-0	1322-2260-0	1322-1860-0	1322-2260-0	1322-2260-0
19	Carriage Stop Nut	1360-1800-0	1360-2200-0	1360-1800-0	1360-2200-0	1360-2200-0
20	Spring Fastener	1352-1755-0	1352-1757-0	1352-1755-0	---	---
	Spring Mtg. Screw	---	---	---	1352-1755-0	1352-1755-0
	Spring Mtg. Nut	---	---	---	1360-1700-0	1360-1700-0
	Spring Mtg. Washer	---	---	---	1768-1600-0	1768-1600-0
23	Carriage Side Roller	9119-0050-0	9119-0062-0	9119-0050-0	9119-0062-0	9119-0075-0
	Carriage Side Roller †	0122-3362-0	0122-1522-0	0122-3362-0	0122-1602-0	---
	Carriage Side Roller Pin †	0122-3372-0	0122-1532-0	0122-3372-0	0122-1572-3	---
24	Side Roller Retaining Ring †	---	---	---	1384-1018-0	---
25	Stem Lock Screw	---	---	1315-1852-0	1315-1852-0	---
27	Lower Indicator Adjusting SCR ‡	1322-2269-0	1322-1859-0	1322-2269-0	1322-1859-0	1322-1860-0
28	Lower Indicator Adjusting Nut ‡	1360-2200-0	1360-1800-0	1360-2200-0	1360-1800-0	1360-1800-0
29	Upper Indicator Adjusting SCR ‡	1322-1859-0	1322-1857-0	1322-1859-0	1322-1857-0	---
30	Upper Indicator Adjusting Nut ‡	1360-1800-0	1360-1800-0	1360-1800-0	1360-1800-0	---

Notes

- † Used on Nickel Plated Valves
 - ‡ Valves with Stem Seal Pump Out use one Seal Pressure Ring STD & one special
 - § Coils for different voltages & cycles available
 - ¶ When ordering Air Line specify valve size.
 - According to our valves code
- 5000 indicates Flg O-Ring Groove on Carriage Side only (Stem Side)
5100 indicates O-Ring Groove on both Flgs (Stem & Gate Side)
5200 indicates no O-Ring Groove on either Flg
5300 indicates Blank no drilling or grooving on either Flg

SERIES 5000 SPLIT BODY ALUMINUM GATE VALVES



VALVE BODIES & PARTS STYLE 30

ITEM	DESCRIPTION	8	10	10B	12	
1	Body Stem Side STD (5000) (with Fig O-Ring) ⁵	0122-1043-0	0322-6443-0	0122-1664-1	0122-1754-1	
	Body Stem Side STD (5100) (with Fig O-Ring)	0122-1043-0	0322-6443-0	0122-1664-1	0122-1754-1	
	Body Stem Side STD (5200) (No Fig O-Ring)	0322-6413-0	0322-7043-0	0122-1664-2	0122-1754-2	
	Body Stem Side STD (5300) (Blank)	0122-1034-0	0122-1365-0	0122-1655-0	0122-1655-1	
	Body Stem Side Nickel Plated (5000)	0122-1043-1	0322-6443-1	0122-1664-3	0122-1754-3	
	Body Stem Side Nickel Plated (5100)	0122-1043-1	0322-6443-1	0122-1664-3	0122-1754-3	
	Body Stem Side Nickel Plated (5200)	0322-6413-1	0322-7043-1	0122-1664-4	0122-1754-4	
	Body Stem Side Nickel Plated (5300)	0122-1034-1	0122-1365-1	0122-1655-2	0122-1655-3	
	Body Stem Side for Position Indicators (5000)	0122-1084-2	0122-1434-1	0122-1734-1	0122-1774-1	
	Body Stem Side for Position Indicators (5100)	0122-1084-2	0122-1434-1	0122-1734-1	0122-1774-1	
	Body Stem Side for Position Indicators (5200)	0122-1084-1	0122-1434-4	0122-1734-2	0122-1774-2	
	Body Stem Side for Position Indicators (5300)	0122-1084-4	0122-1434-5	0122-1734-3	0122-1774-3	
	Body Stem Side for Posit. Indic. Nickel Plated (5000)	0122-1084-4	0122-1434-5	0122-1734-3	0122-1774-3	
	Body Stem Side for Posit. Indic. Nickel Plated (5100)	0122-1084-3	0122-1434-6	0122-1734-4	0122-1774-4	
	Body Stem Side for Posit. Indic. Nickel Plated (5200)	0122-1084-3	0122-1434-6	0122-1734-4	0122-1774-4	
	Body Stem Side for Posit. Indic. Nickel Plated (5300)	0122-1084-3	0122-1434-6	0122-1734-4	0122-1774-4	
	2	Body Seat Side STD (5000) (No Fig O-Ring)	0322-6403-0	0322-7053-0	0122-1694-2	0322-7004-0
		Body Seat Side STD (5100) (with Fig O-Ring)	0122-1073-0	0322-6453-0	0122-1694-1	0122-1784-1
		Body Seat Side STD (5200) (No Fig O-Ring)	0322-6403-0	0322-7053-0	0122-1694-2	0322-7004-0
		Body Seat Side STD (5300) (Blank)	0122-1064-0	0122-1385-0	0122-1685-0	0122-1685-1
Body Seat Side Nickel Plated (5000)		0322-6403-1	0322-7053-1	0122-1694-4	0322-7004-1	
Body Seat Side Nickel Plated (5100)		0122-1073-1	0322-6453-1	0122-1694-3	0122-1784-2	
Body Seat Side Nickel Plated (5200)		0322-6403-1	0322-7053-1	0122-1694-4	0322-7004-1	
Body Seat Side Nickel Plated (5300)		0122-1064-1	0122-1385-1	0122-1685-1	0122-1685-3	
Body Seat Side With Rough Port (5100)		0122-1114-1	0122-1423-2	---	0122-1764-2	
Body Seat Side With Rough Port (5000)		0122-1114-2	0122-1423-1	---	0122-1764-1	
Body Seat Side With Rough Port (5200)		0122-1114-1	0122-1423-2	---	0122-1764-2	
Body Seat Side With Rough Port (5300)		0122-1104-0	0122-1414-0	---	0122-1714-0	
Body Seat Side With Rough Port, Nickel Plated (5000)		0122-1114-3	0122-1423-4	---	0122-1760-4	
Body Seat Side With Rough Port, Nickel Plated (5100)		0122-1114-4	0122-1423-3	---	0122-1764-3	
Body Seat Side With Rough Port, Nickel Plated (5200)		0122-1114-3	0122-1423-4	---	0122-1764-4	
Body Seat Side With Rough Port, Nickel Plated (5300)		0122-1104-1	0122-1414-1	---	0122-1714-1	
3	Name Plate	0222-3312-0	0222-3312-0	0222-3312-0	0222-3312-0	
4	Body O-Ring Buna "N"	2130-0468-0	0122-1441-0	0122-1741-0	0122-1741-0	
	Body O-Ring Viton	2231-0468-0	0122-1441-1	0122-1741-1	0122-1741-1	
5	Fig O-Ring Buna "N"	2130-0447-0	2130-0451-0	2130-0453-0	2130-0455-0	
	Fig O-Ring Viton	2231-0447-1	2231-0451-0	2231-0453-1	2231-0455-0	
6	Body Screw	1221-2261-0	1221-2662-0	1221-2662-0	1221-2662-0	
7	Position Indicator Assy. Upper	0222-9243-0	0222-9243-0	0222-9243-0	0222-9243-0	
8	Position Indicator Assy. Lower	0222-9203-0	0222-9203-0	0222-9203-0	0222-9203-0	
ACTUATOR STYLE 30						
9	Bonnet	0322-8654-0	0322-8654-0	0122-1864-0	0122-1864-0	
	Bonnet With Seal Pump Out	0322-0223-0	0322-0223-0	---	---	
10	Seal Bushing	0322-8541-0	0322-8541-0	0122-1931-0	0122-1931-0	
11	Seal Pressure Ring STD	0322-8551-0	0322-8551-0	0122-1921-0	0122-1921-0	
	Seal Pressure Ring Special ²	0322-0031-0	0322-0031-0	---	---	
12	Seal Spring	0322-8561-0	0322-8561-0	0122-1911-0	0122-1911-0	
13	Stem	0122-1342-0	0122-1632-0	0122-1902-0	0122-1902-0	
14	Piston	0322-8671-0	0322-8671-0	0122-1891-0	0122-1891-0	
15	Cylinder Assembly	0322-8624-1	0322-8624-2	0122-1944-0	0122-1944-0	
	4 Way Solenoid Valve STD ³	0222-4362-0	0222-4362-0	0222-4362-0	0222-4362-0	
16	4 Way Solenoid Valve European Service 115V 50 Hz	0222-4362-1	0222-4362-1	0222-4362-1	0222-4362-1	
	4 Way Solenoid Valve European Service 220V 50 Hz	0222-4362-2	0222-4362-2	0222-4362-2	0222-4362-2	
17	4 Way Solenoid Valve Explosion Proof	0222-4372-0	0222-4372-0	0222-4372-0	0222-4372-0	
	Solenoid Gasket (Part of Item "16")	9203-9920-0	9203-9920-0	9203-9920-0	9203-9920-0	
18	Seal Quad Ring Buna "N"	2108-0210-0	2108-0210-0	2108-0214-0	2108-0214-0	
19	Bonnet O-Ring Buna "N"	2130-0326-0	2130-0326-0	2130-0328-0	2130-0328-0	
	Bonnet O-Ring Viton	2231-0326-1	2231-0326-1	2231-0328-0	2231-0328-0	
20	Actuator Mtg. Screw	1221-2265-0	1221-2265-0	1221-2266-0	1221-2266-0	
21	Stem O-Ring Buna "N"	2130-0210-0	2130-0210-0	2130-0214-0	2130-0214-0	
22	Piston O-Ring Buna "N"	2130-0342-0	2130-0342-0	2130-0425-0	2130-0425-0	
23	Piston-Stem O-Ring Buna "N"	2130-0111-0	2130-0111-0	2130-0113-0	2130-0113-0	
24	Cylinder O-Ring Buna "N"	2130-0242-0	2130-0242-0	2130-0250-0	2130-0250-0	
25	Piston Nut	1267-2800-0	1267-2800-0	1267-3100-0	1267-3100-0	
26	Air Line Coupling	3763-6808-0	3763-6808-0	3763-6808-0	3763-6808-0	
27	Air Line ^{3 4}	5661-0304-0	5661-0304-0	5661-0304-0	5661-0304-0	
28	Cylinder Elbow	3763-6908-0	3763-6908-0	3763-6908-0	3763-6908-0	
29	Solenoid Mtg. SCR	1221-1761-0	1221-1761-0	1221-1761-0	1221-1761-0	

² Used on valves with position indicators