

0101-8251-1

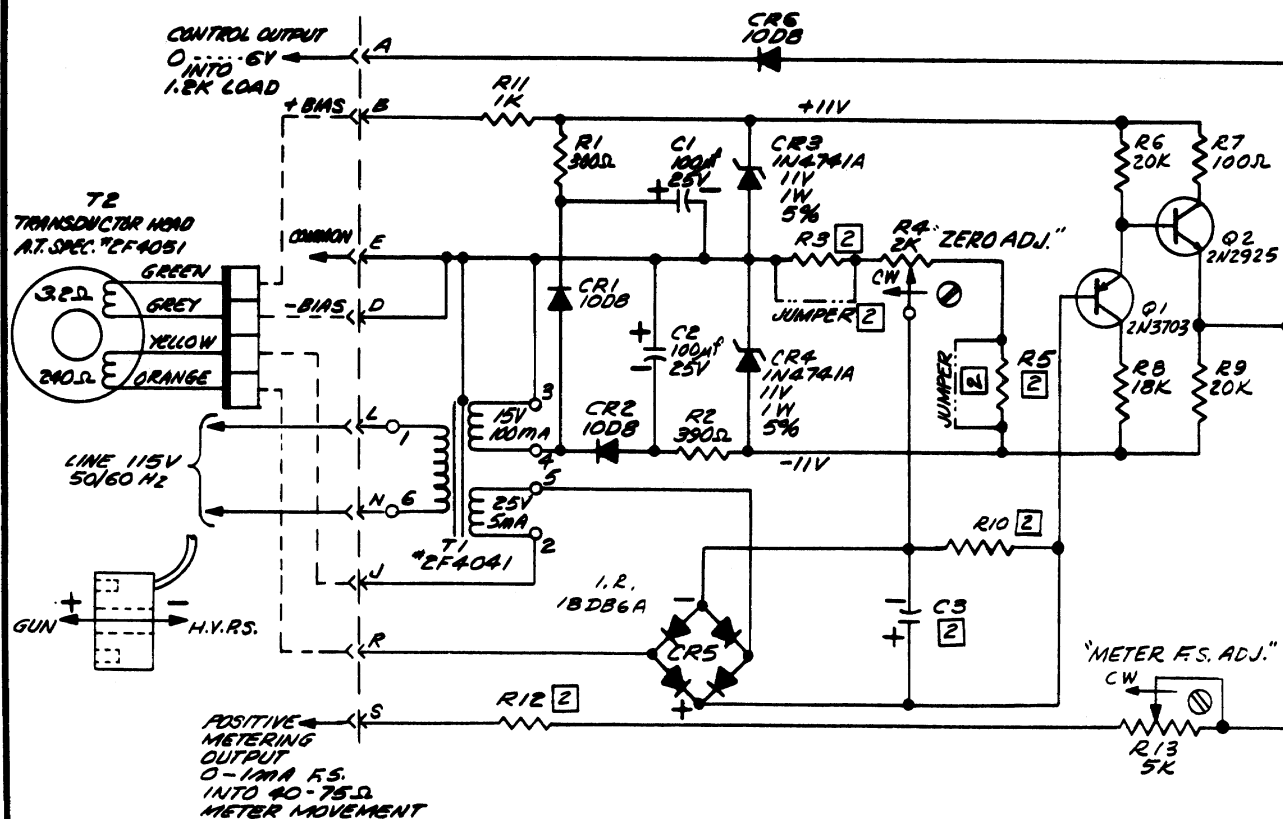
DASH NO. TABULATION

DASH NO.	AMPLIFIER RANGE	R3	R5	R10	R12	C3	USED ON MODEL NO.	SCHEMATIC	REF FINAL AC BOARD ASSY	REF BASIC AC. BD ASSY 90% COMP.
0	1.2A	2K	JUMPER	12K	3K	.47MFD 200V	ES6-210	306-9125 306-9125	307-1904-0	307-1293 [3]
1	1.2A	2K	JUMPER	12K	3K	1.0MFD 50V	ES6-11 ES6-11	306-9125 306-9125	-1	
2	3.0A	JUMPER	2K	5.1K	3K	1.0MFD 50V	ES6-425	2F-3254-344	-2	
3	5.0A	JUMPER	2K	3K	3K	1.0MFD 50V	SPECIAL	2F-3254-5	-3	
4	10.0A	JUMPER	2K	1.5K	3K	1.0MFD 50V	SPECIAL		-4	
5	15.0A	JUMPER	2K	1.0K	3K	1.0MFD 50V	SPECIAL	306-6762 306-6774	-5	
6	1.5A	2K	JUMPER	12K	5.1K	.47MFD 200V	CV14/B	307-1655 SECTION 630	307-1904-6	307-1293 [3]

NOTES:

UNLESS OTHERWISE SPECIFIED

- 1 RESISTORS ARE 1/2 W, 5% COMP CARB
- 2 SEE TABULATION FOR VALUE AND/OR USE
- 3 FOR BASIC P.C. BOARD ASSY 90% COMPLETE OMIT COMPONENTS R3,5,10,12 & C3
- 4 FOR USED ON & FINAL AC. BD ASSY DYN.M.C. SEE TABULATION



D	1.8 1BDB6A WAS MPO:188D	K.O.B.	8-17-76	36
C	REDRAWN WITH CHANGES	E.P.M.	10-27-76	76
REV.	DESCRIPTION	BY	DATE	APP'D
DO NOT SCALE DRAWING UNLESS OTHERWISE SPECIFIED				
PROB	TOLERANCE	UNIT	USE ON DWG.	
	XXX ±	AND ±		
	XX ±	±		
BERKELEY <b>IRCO</b> Temescal CALIFORNIA A DIVISION OF AIR REDUCTION COMPANY, INCORPORATED				
DRAWN BY	DATE	CHK BY	APP BY	SCALE
S.E. ROMERO	8/11/70	RJA	DEO	MCVE
A-T STANDARD				DRAWING NUMBER
1.2 A THRU 15 A TRANSDUCER AMPLIFIER SCHEMATIC				3074933